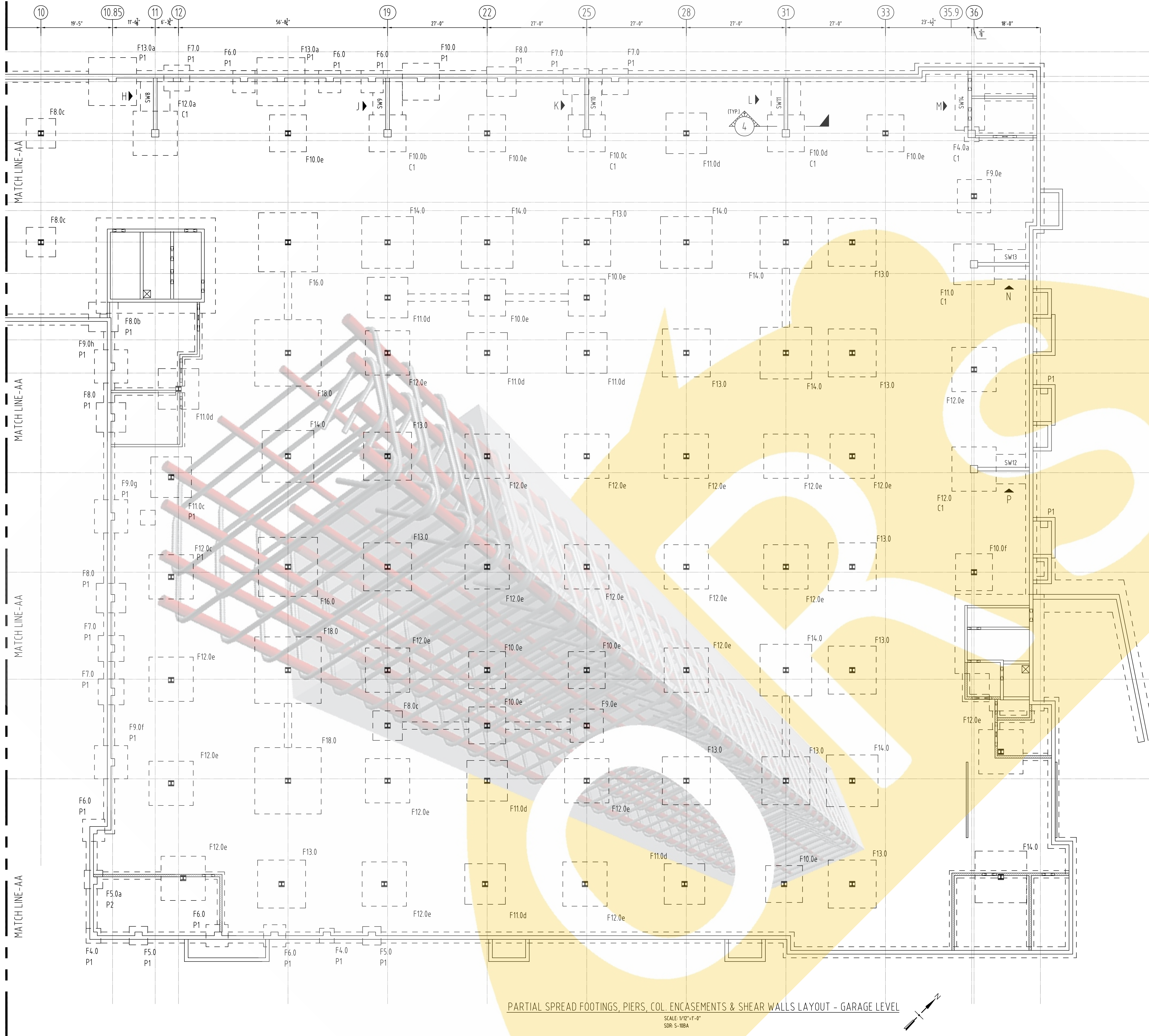


PARTIAL SPREAD FOOTINGS, PIERS, COL. ENCASEMENTS & SHEAR WALLS LAYOUT - GARAGE LEVEL

SCALE: 1/12"=1'-0"  
SDR: S-101A

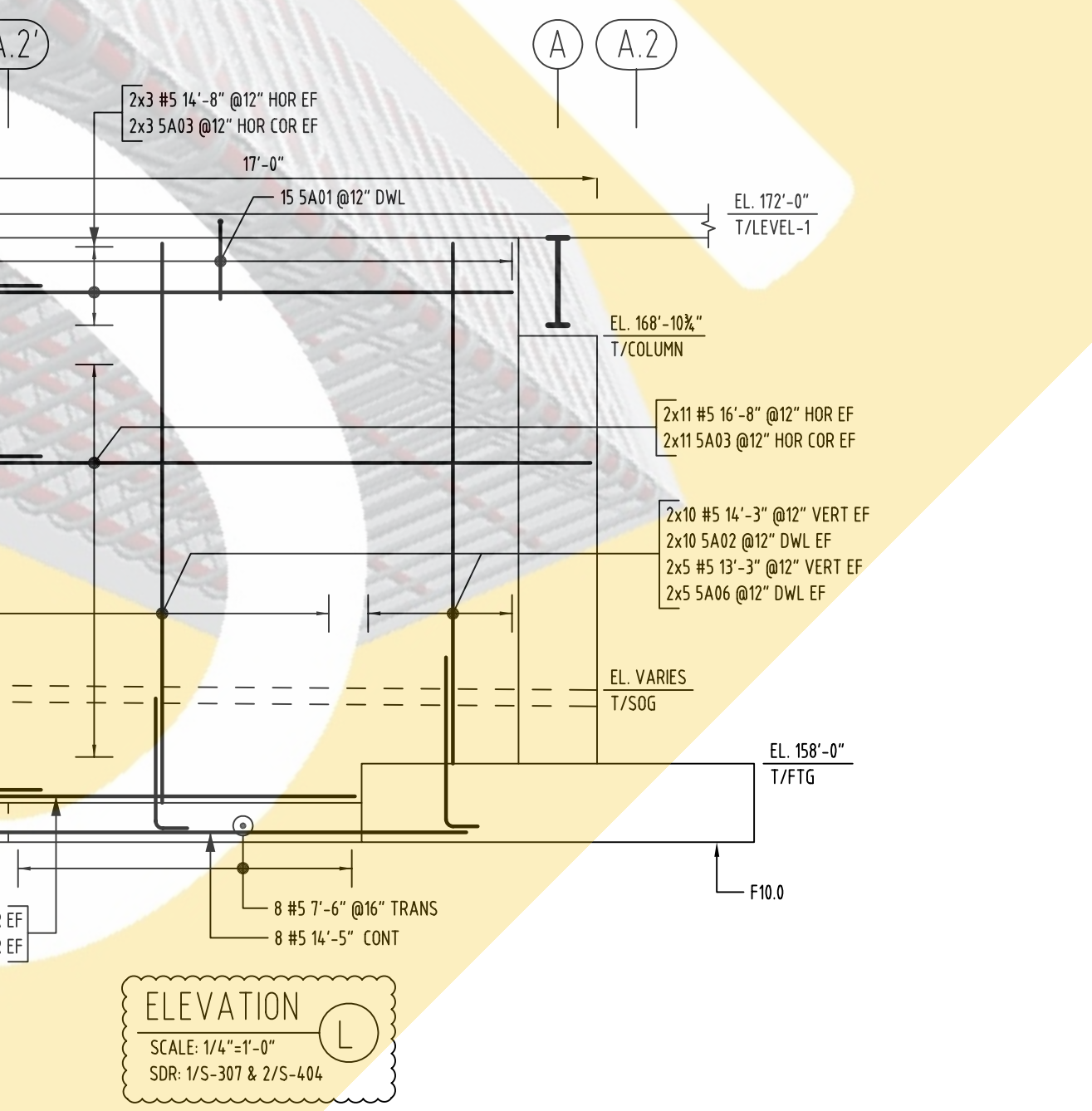
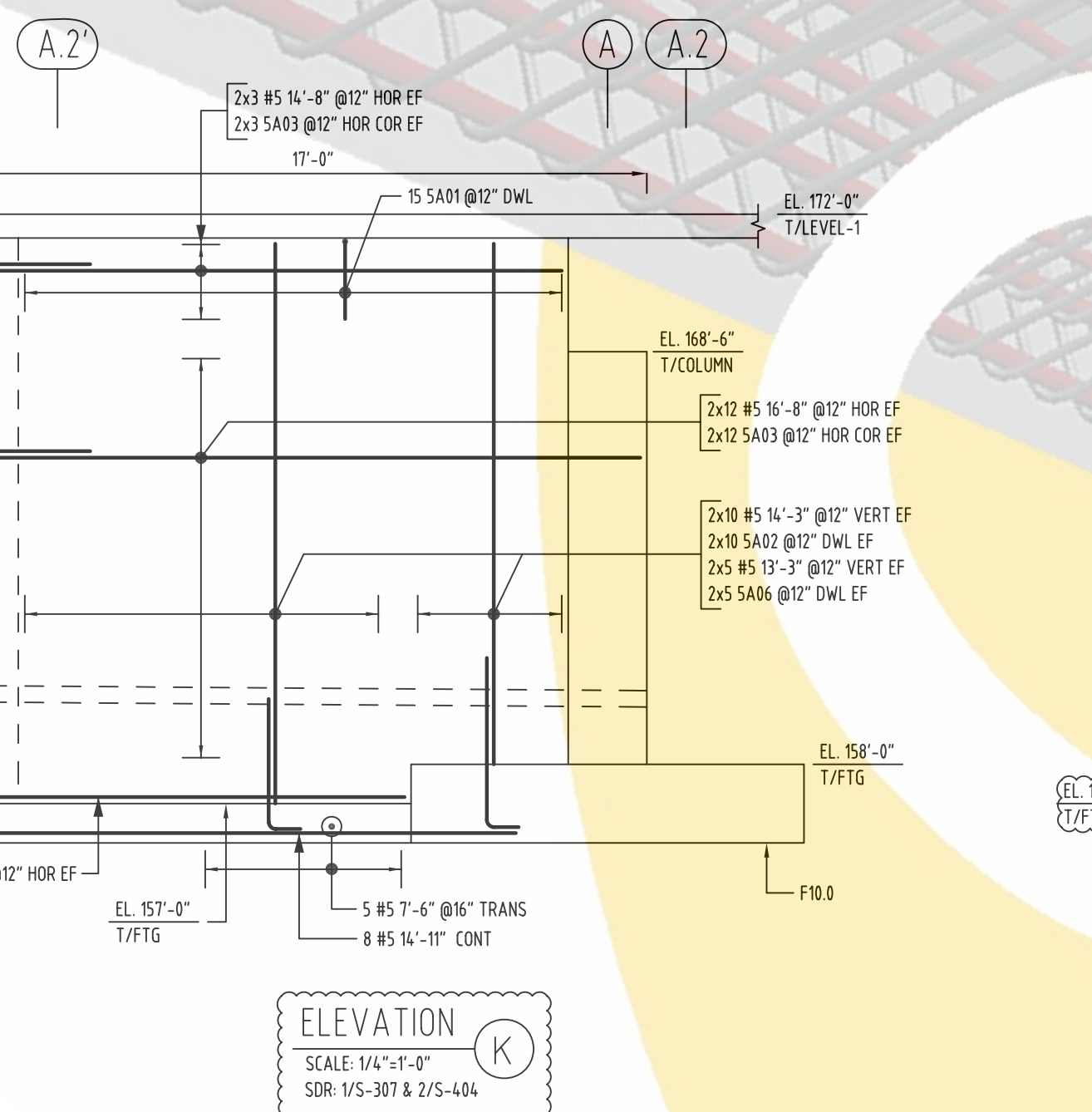
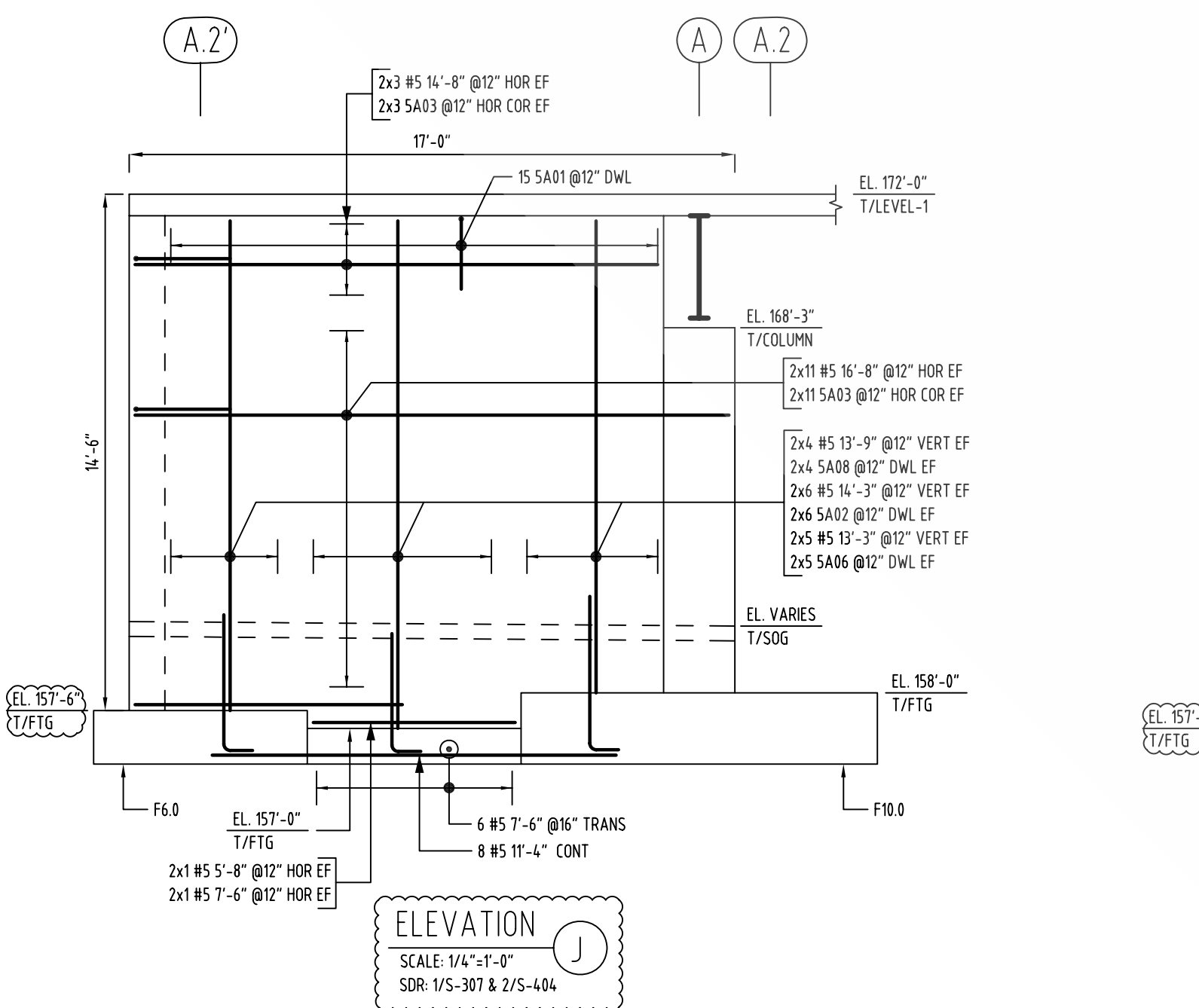
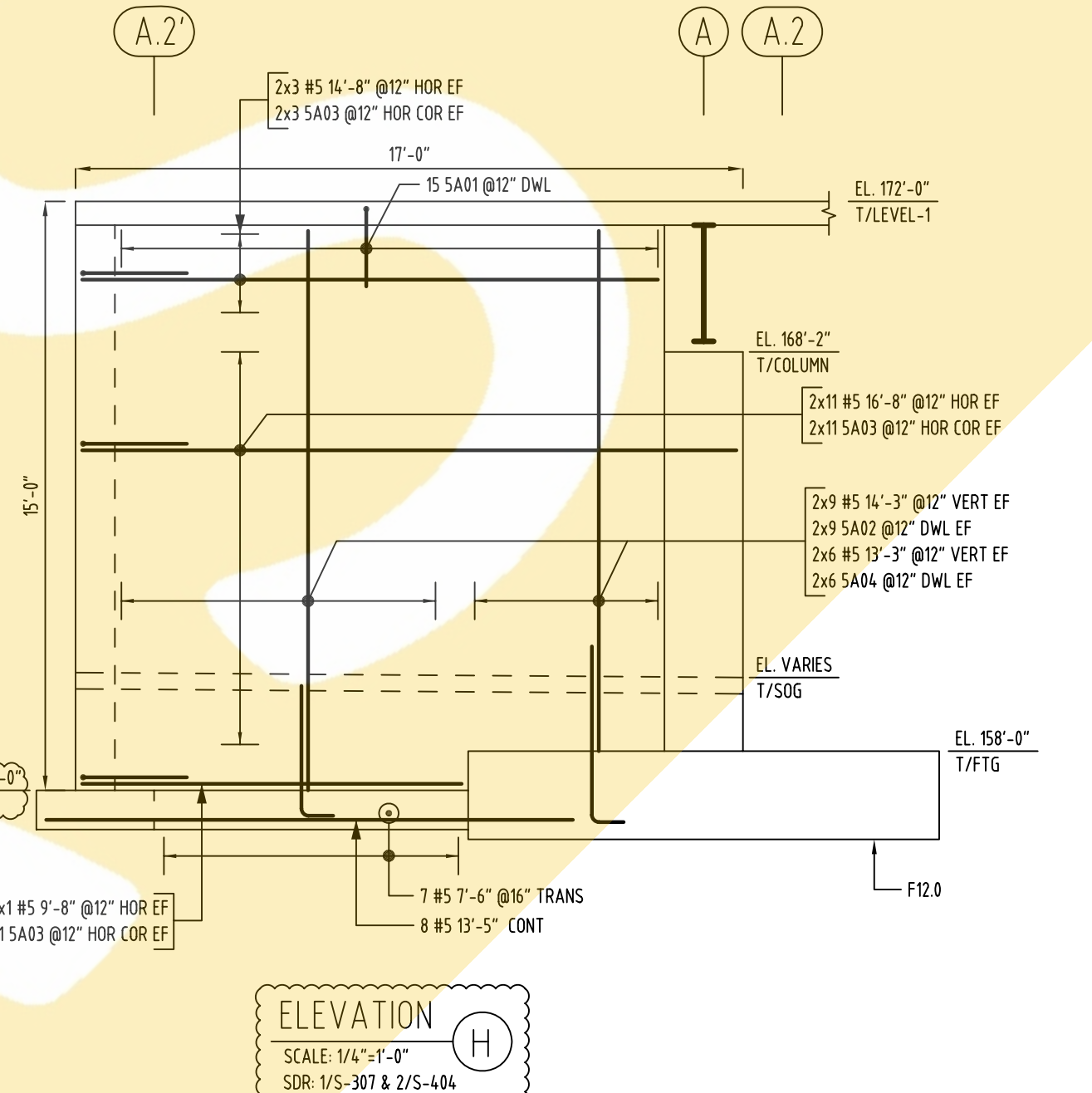
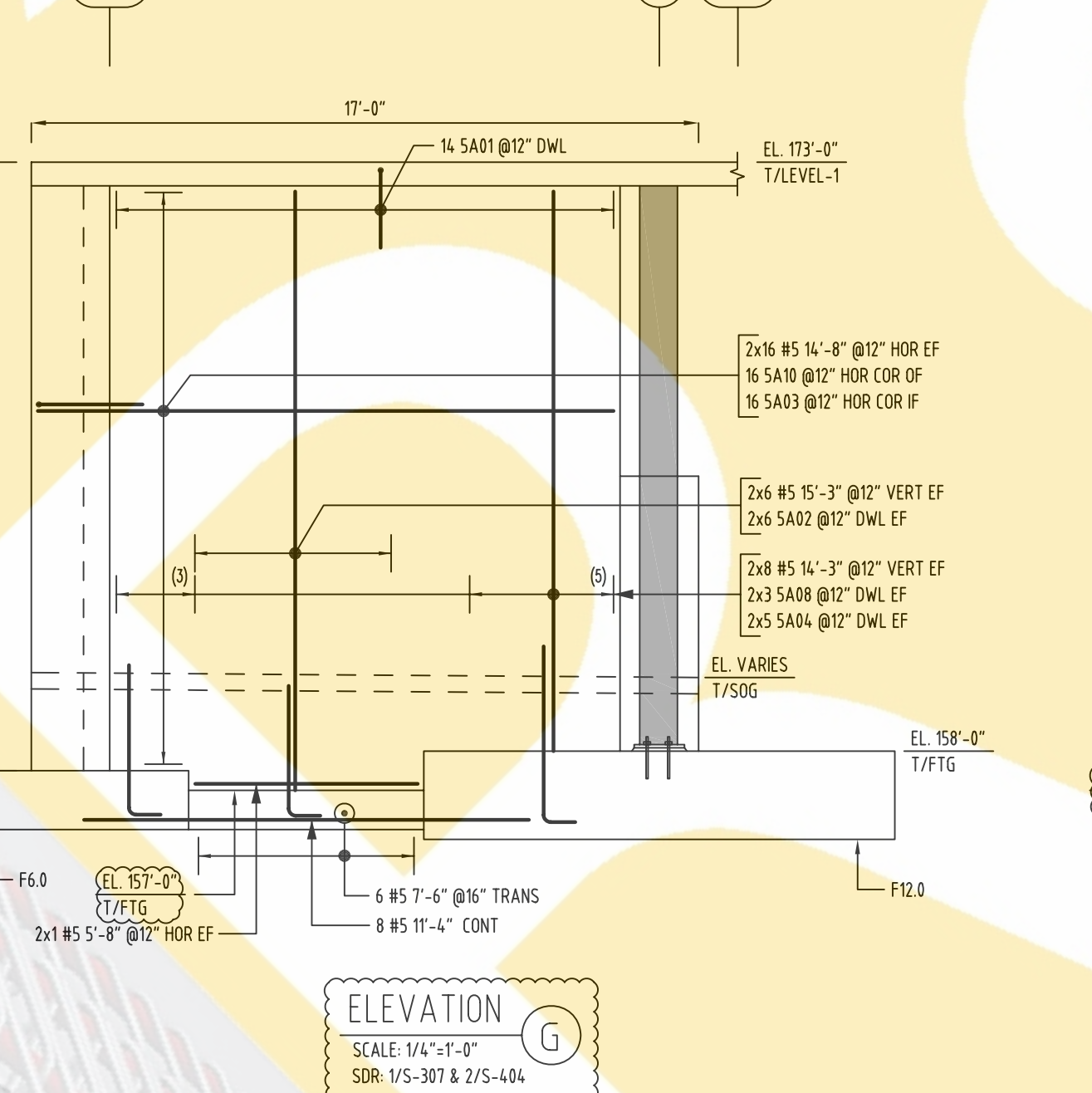
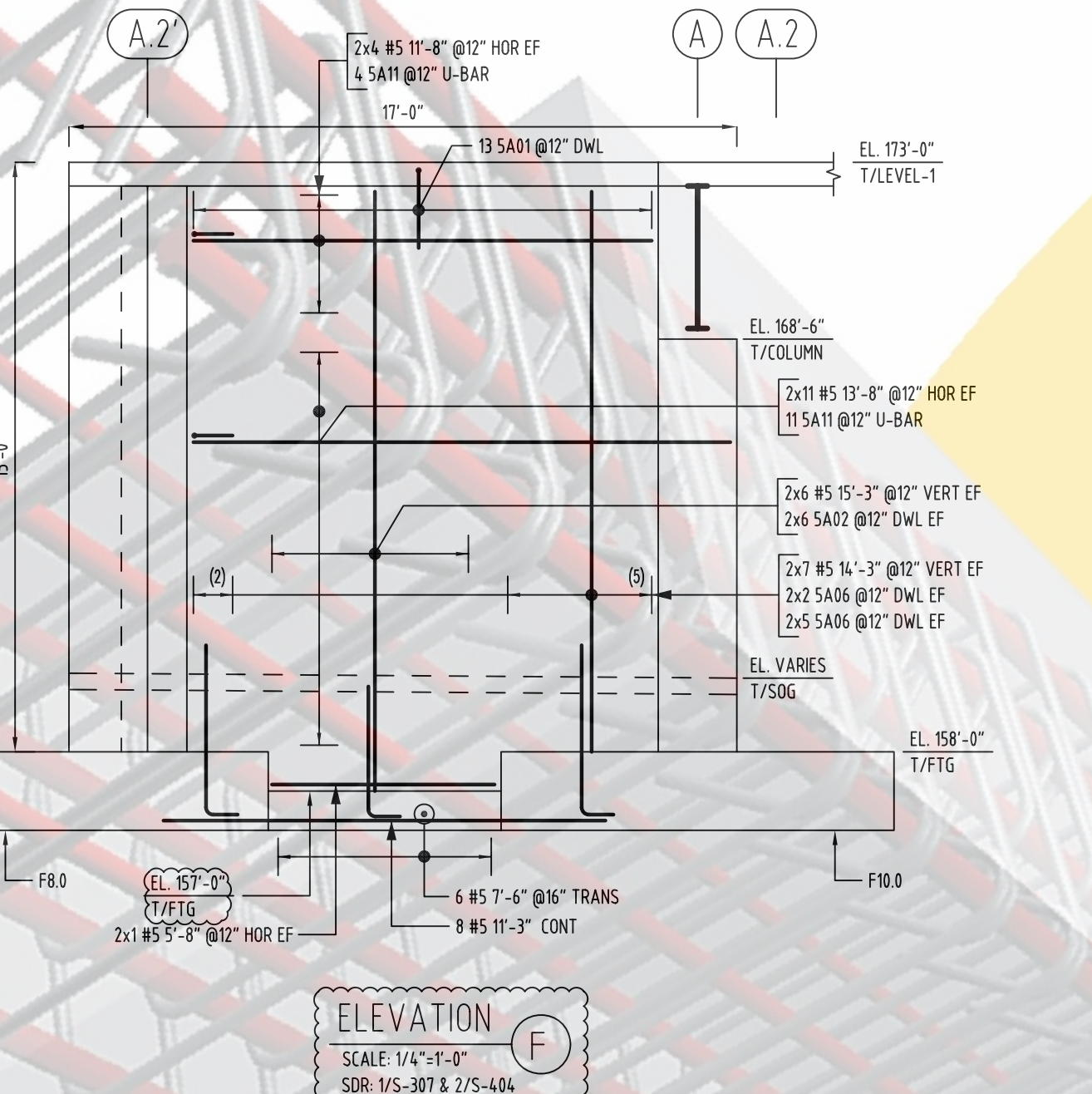
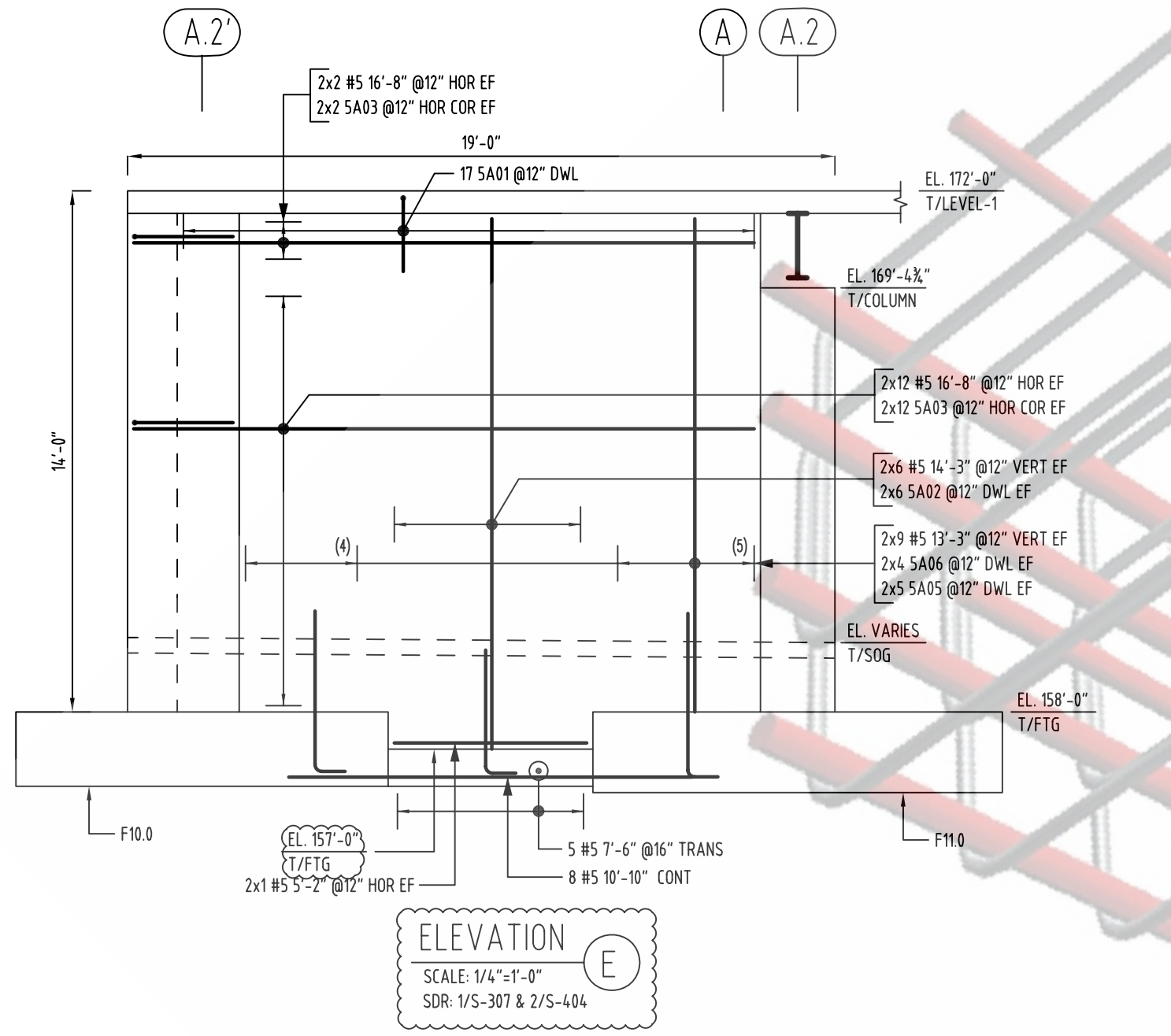
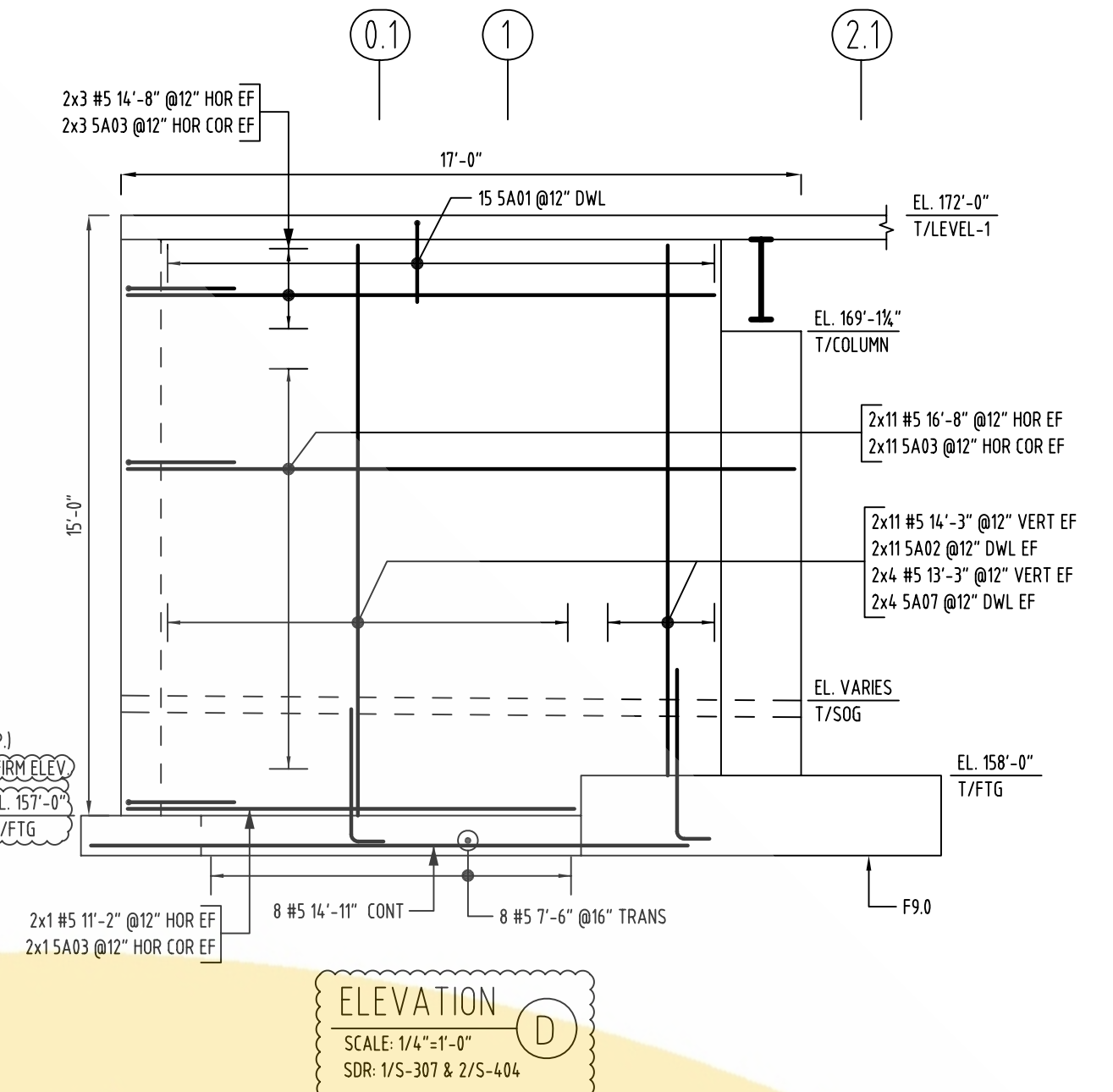
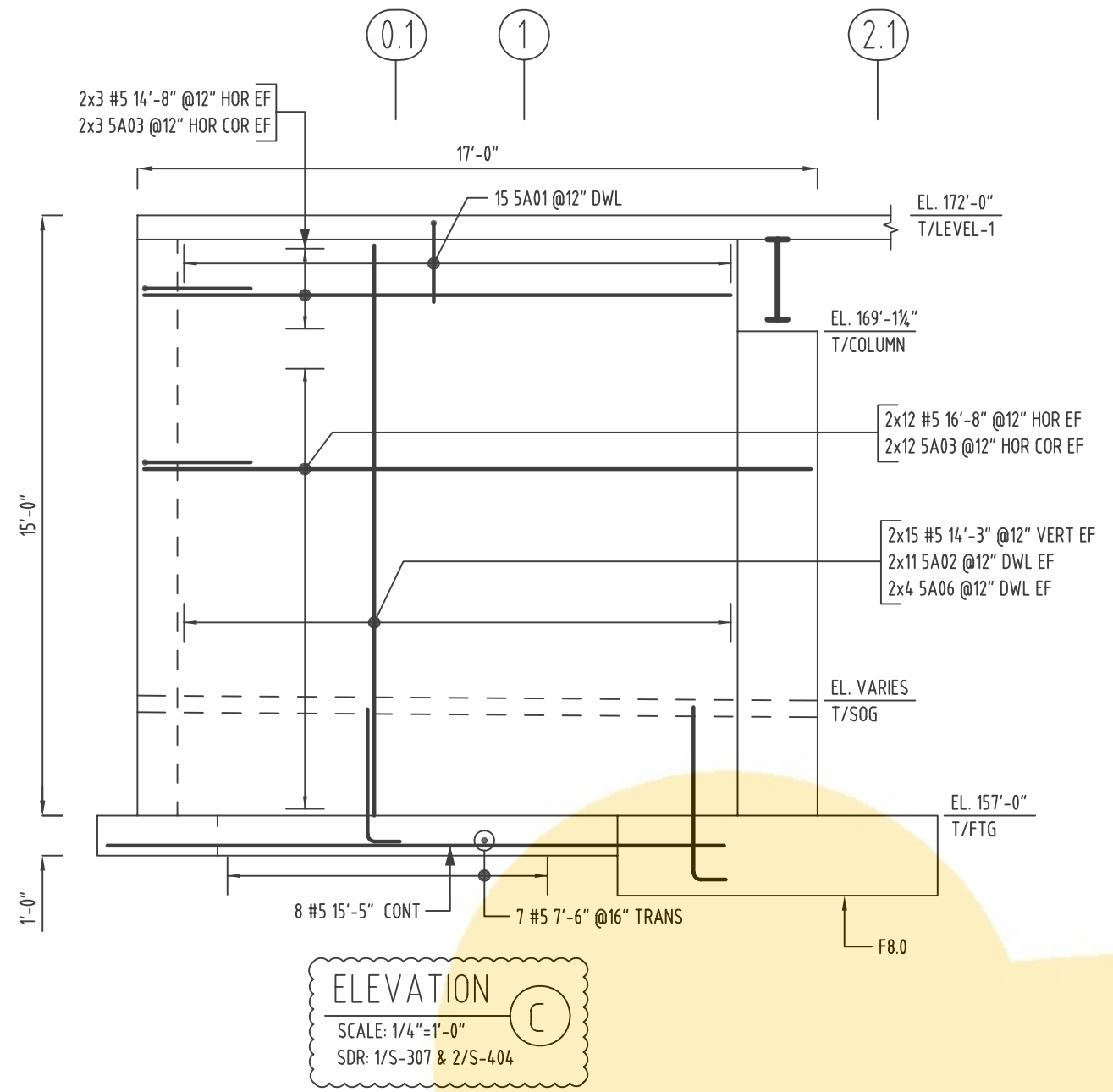
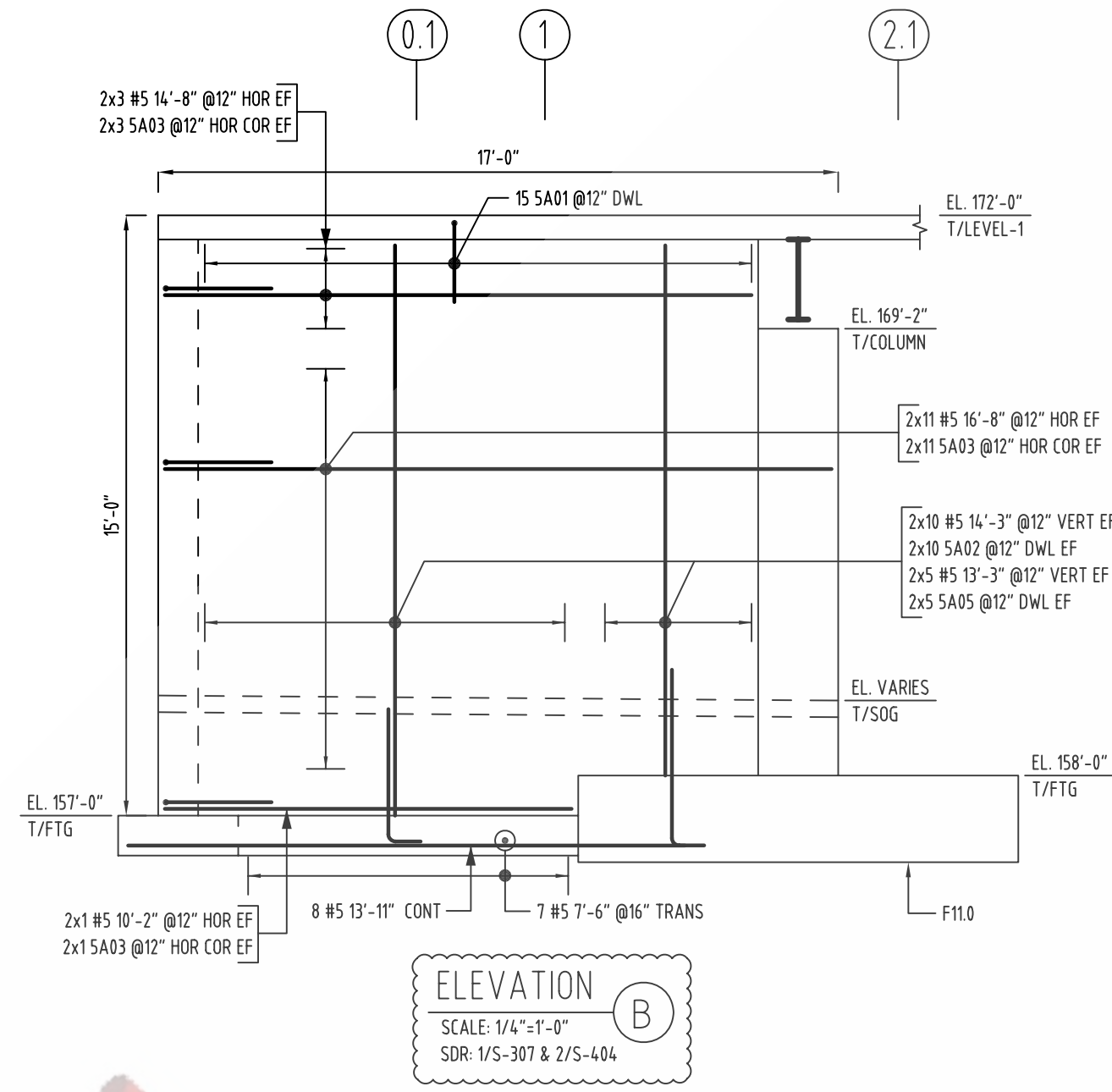
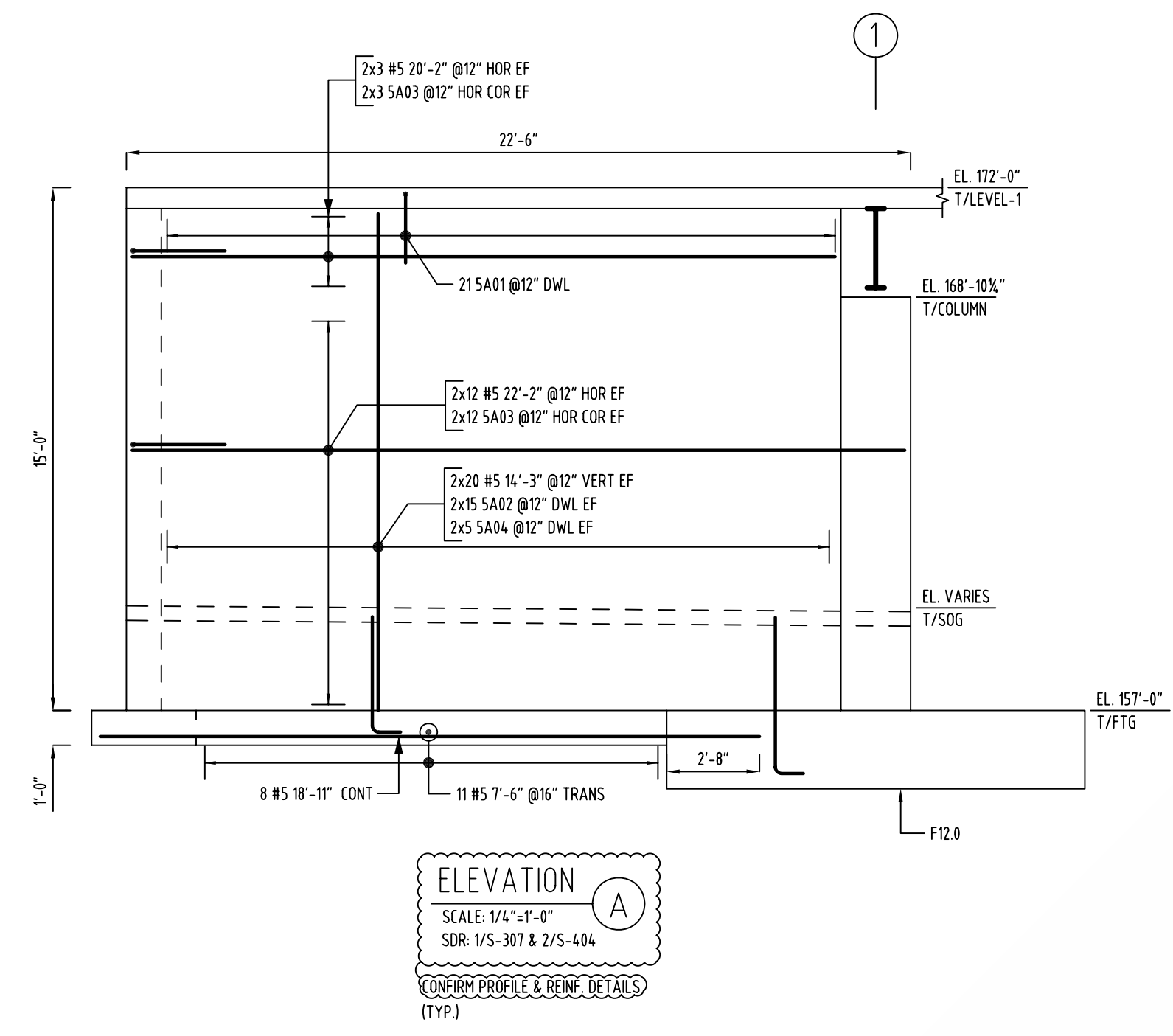
# ONCE REBAR SERVICES



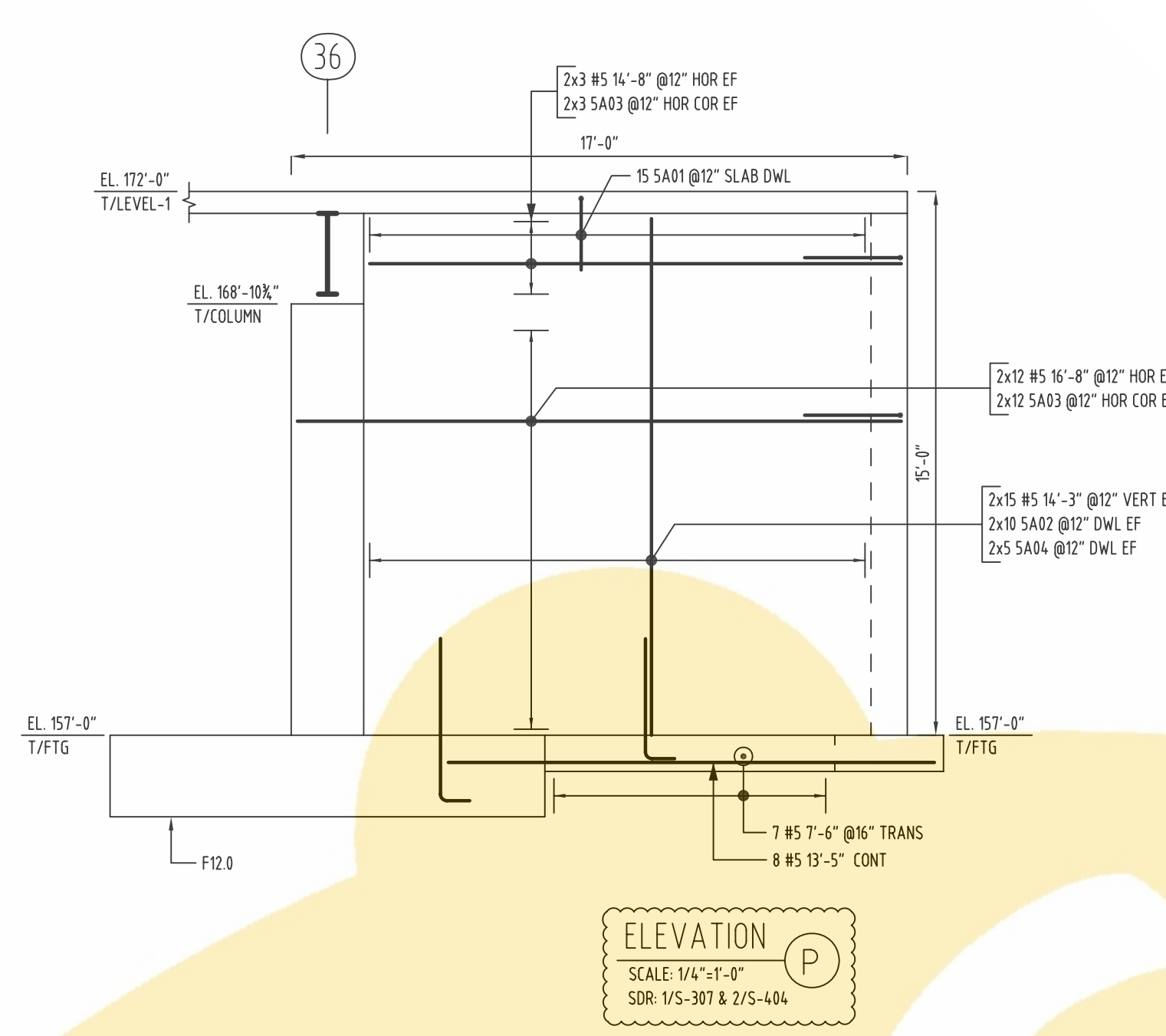
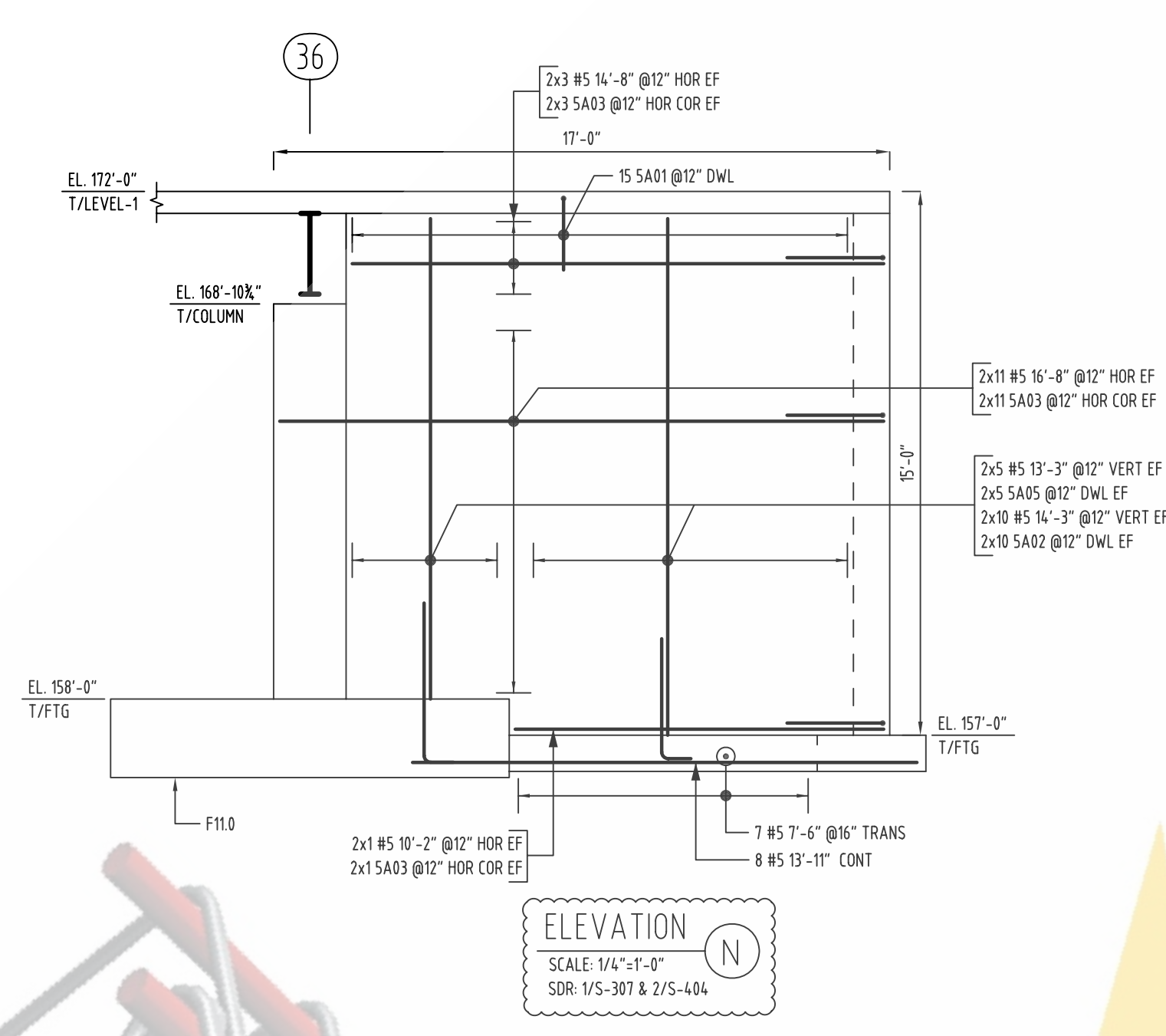
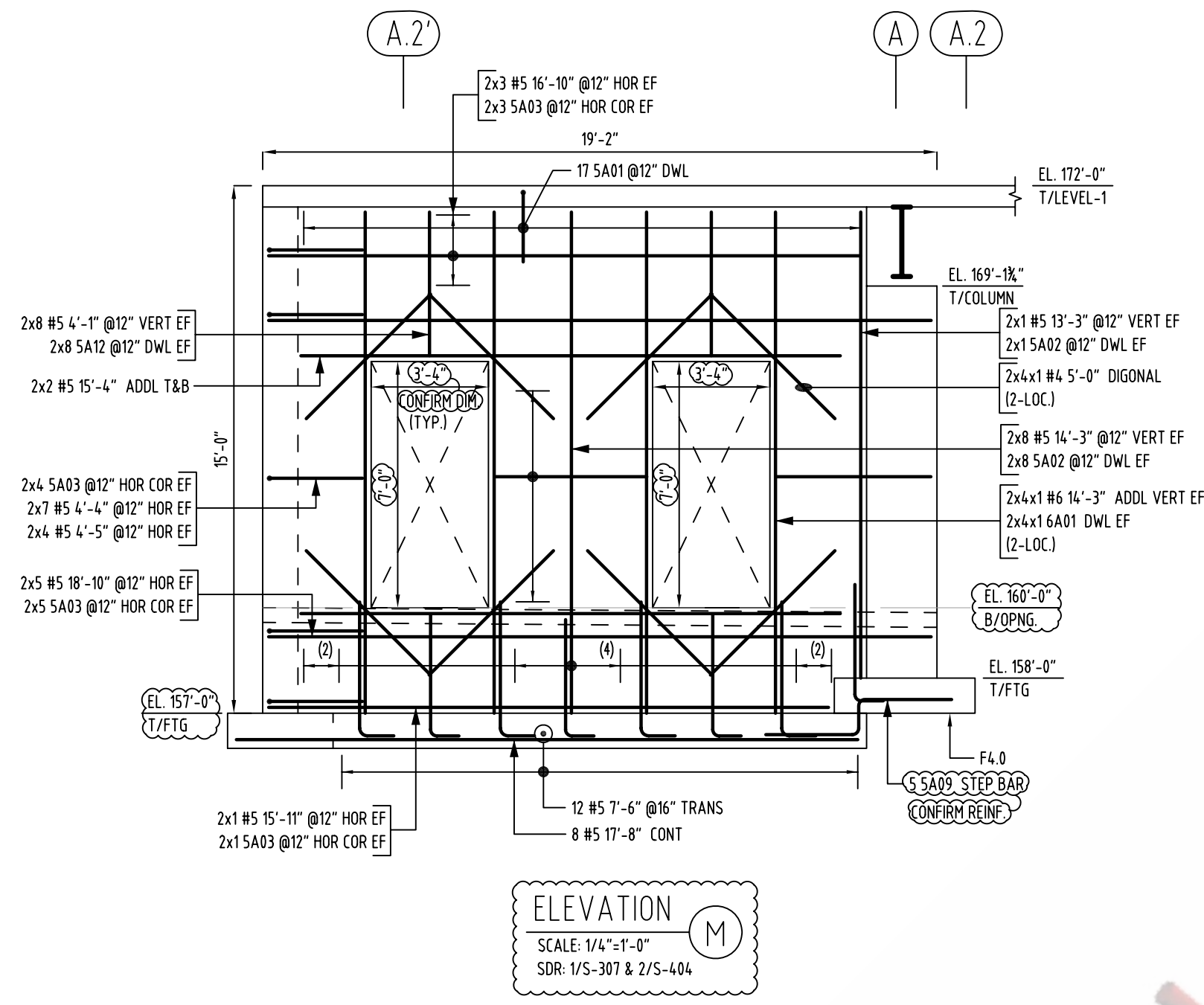
PARTIAL SPREAD FOOTINGS, PIERS, COL. ENCASUREMENTS & SHEAR WALLS LAYOUT - GARAGE LEVEL  
 SCALE: 1/12"=1'-0"  
 SDR-S-108A

# ONCE REBAR SERVICES

# ONCE REBAR SERVICES



# ONCE REBAR SERVICES



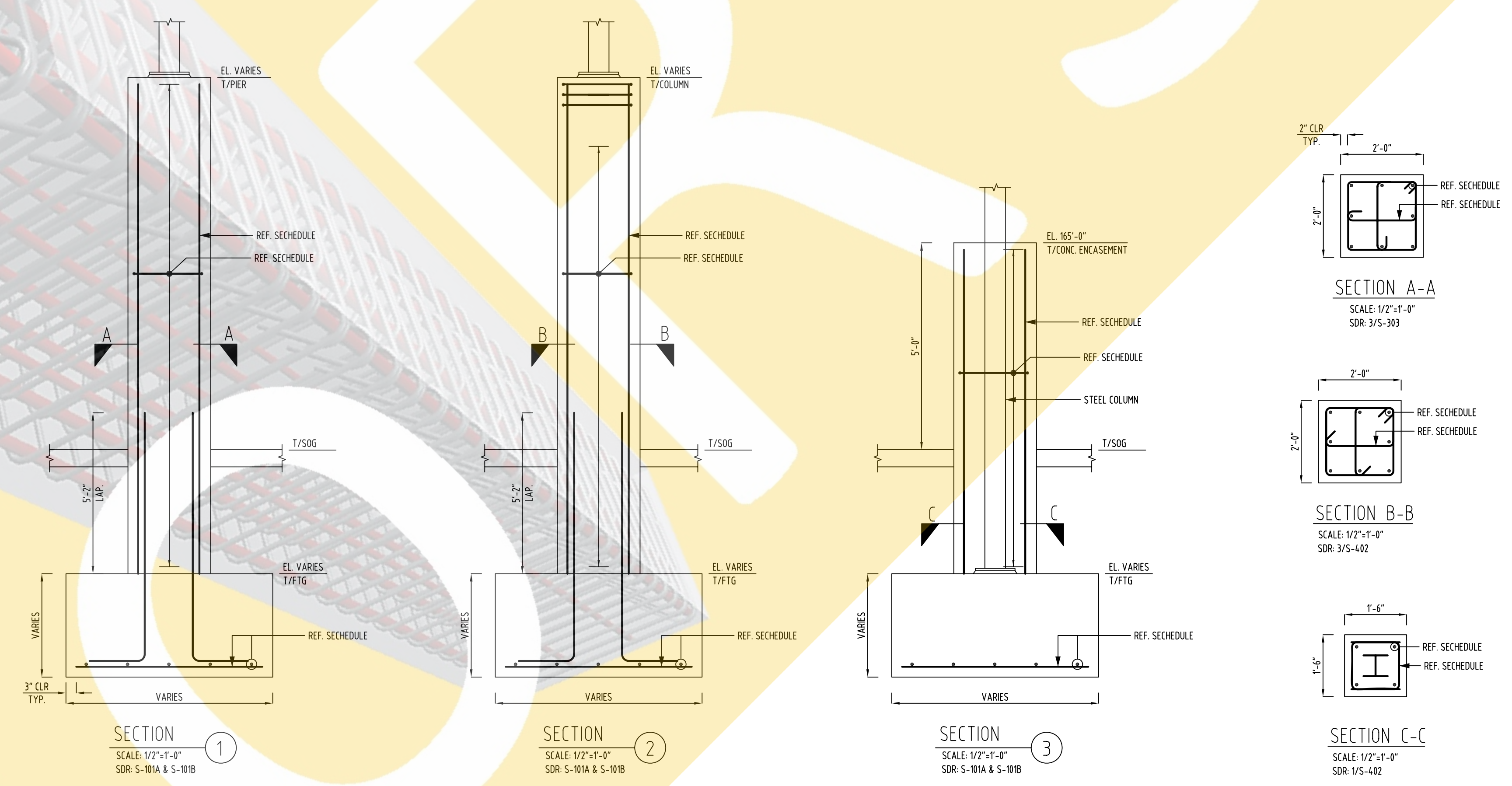
SPREAD FOOTINGS WITH PIERS/CONC. COLUMNS REINFORCEMENT SCHEDULE								
FOOTING MARK	FOOTING SIZE	PIER/COLUMN MARK	PIER/COLUMN SIZE	LOCATIONS	T/FTG.	T/PIER (OR) COLUMN	REINFORCEMENT DETAILS	REMARKS
F4.0	4'-0"x4'-0"x1'-0"	P1	24"x24"	2-LOC.	157'-0"	177'-0"	2x2x5 #4 3'-6" EW BOT 2x8 BA05 DWL 2x8 #8 13'-10" VERT 2x15 3A03 @12" TIES 2x2x15 3A02 @12" CROSS TIES	SECTION-1 SECTION A-A
F4.0a	4'-0"x4'-0"x1'-0"	C1	24"x24"	1-LOC.	158'-0"	(TYP) CONFIRM PER ELEV M	2x5 #4 3'-6" EW BOT 8 BA05 DWL 8 #8 11'-0" VERT 11 4A01 @12" TIES 2x11 4A02 @12" CROSS TIES 3 4A01 @3" TIES TOP 2x3 4A02 @3" CROSS TIES TOP	SECTION-2 SECTION B-B
F5.0	5'-0"x5'-0"x1'-0"	P1	24"x24"	3-LOC.	157'-0"	177'-0"	3x2x5 #5 4'-6" EW BOT 3x8 BA05 DWL 3x8 #8 13'-10" VERT 3x15 3A03 @12" TIES 3x2x15 3A02 @12" CROSS TIES	
F5.0a	5'-0"x5'-0"x1'-0"	P2	24"x24"	1-LOC.	157'-0"	177'-0"	2x5 #5 4'-6" EW BOT 8 BA05 DWL 8 #8 13'-10" VERT 15 3A03 @12" TIES 2x15 3A02 @12" CROSS TIES	
F6.0	6'-0"x6'-0"x1'-6"	P1	24"x24"	9-LOC.	157'-6"	177'-0"	9x2x7 #5 5'-6" EW BOT 9x8 BA04 DWL 9x8 #8 13'-4" VERT 9x15 3A03 @12" TIES 9x2x15 3A02 @12" CROSS TIES	SECTION-1 SECTION A-A
F7.0	7'-0"x7'-0"x1'-6"	P1	24"x24"	7-LOC.	157'-6"	177'-0"	7x2x8 #5 6'-6" EW BOT 7x8 BA04 DWL 7x8 #8 13'-4" VERT 7x15 3A03 @12" TIES 7x2x15 3A02 @12" CROSS TIES	
F7.0a	7'-0"x7'-0"x1'-6"	P1	24"x24"	1-LOC.	158'-0"	160'-0"	2x8 #5 6'-6" EW BOT 8 BA03 D/V 3 3A03 @12" TIES 2x3 3A02 @12" CROSS TIES	
F8.0	8'-0"x8'-0"x2'-0"	P1	24"x24"	5-LOC.	158'-0"	177'-0"	5x2x9 #6 7'-6" EW BOT 5x8 BA01 DWL 5x8 #8 12'-10" VERT 5x14 3A03 @12" TIES 5x2x14 3A02 @12" CROSS TIES	
F8.0a	8'-0"x8'-0"x2'-0"	C1	24"x24"	1-LOC.	157'-0"	(TYP) CONFIRM PER ELEV M	2x9 #6 7'-6" EW BOT 8 BA01 DWL 8 #8 12'-0" VERT 12 4A01 @12" TIES 2x12 4A02 @12" CROSS TIES 3 4A01 @3" TIES TOP 2x3 4A02 @3" CROSS TIES TOP	SECTION-2 SECTION B-B
F8.0b	8'-0"x8'-0"x2'-0"	(TYP) CONFIRM PER ELEV M	24"x24"	1-LOC.	154'-0"	(TYP) CONFIRM PER ELEV M	2x9 #6 7'-6" EW BOT 8 BA01 DWL 8 #8 15'-10" VERT 17 3A03 @12" TIES 2x17 3A02 @12" CROSS TIES	SECTION-1 SECTION A-A
F9.0	9'-0"x9'-0"x2'-0"	P1	24"x24"	1-LOC.	158'-0"	169'-0"	2x10 #7 8'-6" EW BOT 8 BA02 DWL 8 #8 10'-10" VERT 12 3A03 @12" TIES 2x12 3A02 @12" CROSS TIES	

SPREAD FOOTINGS WITH PIERS/CONC. COLUMNS REINFORCEMENT SCHEDULE								
FOOTING MARK	FOOTING SIZE	PIER/COLUMN MARK	PIER/COLUMN SIZE	LOCATIONS	T/FTG.	T/PIER (OR) COLUMN	REINFORCEMENT DETAILS	REMARKS
F9.0a	9'-0"x9'-0"x2'-0"	P1	24"x24"	1-LOC.	158'-0"	(TYP) CONFIRM PER ELEV M	2x10 #7 8'-6" EW BOT 8 BA02 DWL 8 #8 10'-6" VERT 12 3A03 @12" TIES 2x12 3A02 @12" CROSS TIES	SECTION-1 SECTION A-A
F9.0b	9'-0"x9'-0"x2'-0"	C1	24"x24"	1-LOC.	158'-0"	(TYP) CONFIRM PER ELEV M	2x10 #7 8'-6" EW BOT 8 BA02 DWL 8 #8 11'-0" VERT 11 4A01 @12" TIES 2x11 4A02 @12" CROSS TIES 3 4A01 @3" TIES TOP 2x3 4A02 @3" CROSS TIES TOP	SECTION-2 SECTION B-B
F9.0c	9'-0"x9'-0"x2'-0"	P1	24"x24"	1-LOC.	158'-0"	(TYP) CONFIRM PER ELEV M	2x10 #7 8'-6" EW BOT 8 BA02 DWL 8 #8 10'-3" VERT 12 3A03 @12" TIES 2x12 3A02 @12" CROSS TIES	
F9.0d	9'-0"x9'-0"x2'-0"	P1	24"x24"	1-LOC.	158'-0"	177'-0"	2x10 #7 8'-6" EW BOT 8 BA02 DWL 8 #8 12'-10" VERT 14 3A03 @12" TIES 2x14 3A02 @12" CROSS TIES	
F9.0e	9'-0"x9'-0"x2'-0"	P1	24"x24"	1-LOC.	154'-3"	177'-0"	2x10 #7 8'-6" EW BOT 8 BA02 DWL 8 #8 16'-7" VERT 18 3A03 @12" TIES 2x18 3A02 @12" CROSS TIES	SECTION-1 SECTION A-A
F9.0f	9'-0"x9'-0"x2'-0"	P1	24"x24"	1-LOC.	158'-0"	177'-0"	2x10 #7 8'-6" EW BOT 8 BA02 DWL 8 #8 14'-10" VERT 16 3A03 @12" TIES 2x16 3A02 @12" CROSS TIES	
F9.0g	9'-0"x9'-0"x2'-0"	P1	24"x24"	1-LOC.	154'-3"	177'-0"	2x10 #7 8'-6" EW BOT 8 BA02 DWL 8 #8 16'-7" VERT 18 3A03 @12" TIES 2x18 3A02 @12" CROSS TIES	SECTION-1 SECTION A-A
F9.0h	9'-0"x9'-0"x2'-0"	P1	24"x24"	1-LOC.	156'-0"	177'-0"	2x10 #7 8'-6" EW BOT 8 BA02 DWL 8 #8 14'-10" VERT 16 3A03 @12" TIES 2x16 3A02 @12" CROSS TIES	
F10.0	10'-0"x10'-0"x2'-0"	P1	24"x24"	3-LOC.	158'-0"	177'-0"	3x2x12 #6 9'-6" EW BOT 3x8 BA01 DWL 3x8 #8 12'-10" VERT 3x14 3A03 @12" TIES 3x2x14 3A02 @12" CROSS TIES	
F10.0a	10'-0"x10'-0"x2'-0"	C1	24"x24"	1-LOC.	158'-0"	(TYP) CONFIRM PER ELEV M	2x12 #6 9'-6" EW BOT 8 BA01 DWL 8 #8 10'-4" VERT 10 4A01 @12" TIES 2x10 4A02 @12" CROSS TIES 3 4A01 @3" TIES TOP 2x3 4A02 @3" CROSS TIES TOP	
F10.0b	10'-0"x10'-0"x2'-0"	C1	24"x24"	1-LOC.	158'-0"	(TYP) CONFIRM PER ELEV M	2x12 #6 9'-6" EW BOT 8 BA01 DWL 8 #8 10'-1" VERT 10 4A01 @12" TIES 2x10 4A02 @12" CROSS TIES 3 4A01 @3" TIES TOP 2x3 4A02 @3" CROSS TIES TOP	SECTION-2 SECTION B-B
F10.0c	10'-0"x10'-0"x2'-0"	C1	24"x24"	1-LOC.	158'-0"	(TYP) CONFIRM PER ELEV M	2x12 #6 9'-6" EW BOT 8 BA01 DWL 8 #8 10'-4" VERT 10 4A01 @12" TIES 2x10 4A02 @12" CROSS TIES 3 4A01 @3" TIES TOP 2x3 4A02 @3" CROSS TIES TOP	

SPREAD FOOTINGS WITH PIERS/CONC. COLUMNS REINFORCEMENT SCHEDULE								
FOOTING MARK	FOOTING SIZE	PIER/COLUMN MARK	PIER/COLUMN SIZE	LOCATIONS	T/FTG.	T/PIER (OR) COLUMN	REINFORCEMENT DETAILS	REMARKS
F10.0d	10'-0"x10'-0"x2'-0"	C1	24"x24"	1-LOC.	158'-0"	168'-10"	2x12 #6 9'-6" EW BOT 8 #8 D/WL 8 #8 10'-9" VERT 11 #4 @12" TIES 2x11 #4 @12" CROSS TIES 3 #4 @12" TIES TOP 2x3 #4 @12" CROSS TIES TOP	SECTION-2 SECTION B-B
F11.0	11'-0"x11'-0"x2'-2"	C1	24"x24"	1-LOC.	158'-0"	168'-10"	2x11 #7 10'-6" EW BOT 8 #8 D/WL 8 #8 10'-9" VERT 11 #4 @12" TIES 2x11 #4 @12" CROSS TIES 3 #4 @12" TIES TOP 2x3 #4 @12" CROSS TIES TOP	
F11.0a	11'-0"x11'-0"x2'-2"	C1	24"x24"	1-LOC.	158'-0"	169'-10"	2x11 #7 10'-6" EW BOT 8 #8 D/WL 8 #8 11'-3" VERT 11 #4 @12" TIES 2x11 #4 @12" CROSS TIES 3 #4 @12" TIES TOP 2x3 #4 @12" CROSS TIES TOP	
F11.0b	11'-0"x11'-0"x2'-2"	C1	24"x24"	1-LOC.	158'-0"	169'-2"	2x11 #7 10'-6" EW BOT 8 #8 D/WL 8 #8 11'-0" VERT 11 #4 @12" TIES 2x11 #4 @12" CROSS TIES 3 #4 @12" TIES TOP 2x3 #4 @12" CROSS TIES TOP	SECTION-1 SECTION A-A
F11.0c	11'-0"x11'-0"x2'-2"	P1	24"x24"	1-LOC.	154'-8"	159'-0"	2x11 #7 10'-6" EW BOT 8 #8 D/WL 5 #4 @12" TIES 2x5 #4 @12" CROSS TIES	
F12.0	12'-0"x12'-0"x2'-3"	C1	24"x24"	1-LOC.	157'-0"	168'-10"	2x10 #8 11'-6" EW BOT 8 #8 D/WL 8 #8 11'-9" VERT 11 #4 @12" TIES 2x11 #4 @12" CROSS TIES 3 #4 @12" TIES TOP 2x3 #4 @12" CROSS TIES TOP	SECTION-2 SECTION B-B
F12.0a	12'-0"x12'-0"x2'-3"	C1	24"x24"	1-LOC.	158'-0"	168'-2"	2x10 #8 11'-6" EW BOT 8 #8 D/WL 8 #8 10'-9" VERT 10 #4 @12" TIES 2x10 #4 @12" CROSS TIES 3 #4 @12" TIES TOP 2x3 #4 @12" CROSS TIES TOP	
F12.0b	12'-0"x12'-0"x2'-3"	C1	24"x24"	1-LOC.	157'-0"	168'-10"	2x10 #8 11'-6" EW BOT 8 #8 D/WL 8 #8 11'-8" VERT 11 #4 @12" TIES 2x11 #4 @12" CROSS TIES 3 #4 @12" TIES TOP 2x3 #4 @12" CROSS TIES TOP	SECTION-1 SECTION A-A
F12.0c	12'-0"x12'-0"x2'-3"	P1	24"x24"	1-LOC.	154'-6"	159'-0"	2x10 #8 11'-6" EW BOT 8 #8 D/WL 5 #4 @12" TIES 2x5 #4 @12" CROSS TIES	
F12.0d	12'-0"x12'-0"x2'-3"	P1	24"x24"	1-LOC.	155'-0"	159'-0"	2x10 #8 11'-6" EW BOT 8 #8 D/WL 5 #4 @12" TIES 2x5 #4 @12" CROSS TIES	SECTION-1 SECTION A-A
F13.0a	13'-0"x13'-0"x2'-5"	P1	24"x24"	2-LOC.	158'-6"	171'-0"	2x2x12 #8 12'-6" EW BOT 2x8 #8 BOT D/WL 2x8 #8 12'-4" VERT 2x14 #4 @12" TIES 2x2x14 #4 @12" CROSS TIES	

SPREAD FOOTINGS WITH COLUMN ENCASEMENTS REINFORCEMENT SCHEDULE							
FOOTING MARK	FOOTING SIZE	COL. ENCASEMENT SIZE	LOCATIONS	T/FTG.	T/COL. ENCASEMENT	REINFORCEMENT DETAILS	REMARKS
F8.0c	8'-0"x8'-0"x2'-0"	18"x18"	3-LOC.	158'-0"	165'-0"	3x2x9 #6 7'-6" EW BOT 3x4 #6 6'-10" VERT 3x2x8 #4 @12" TIES	SECTION-3 SECTION C-C
F9.0d	9'-0"x9'-0"x2'-0"	18"x18"	1-LOC.	157'-0"	165'-0"	2x10 #7 8'-6" EW BOT 4 #6 7'-10" VERT 2x9 #4 @12" TIES	
F9.0e	9'-0"x9'-0"x2'-0"	18"x18"	3-LOC.	158'-0"	165'-0"	3x2x10 #7 8'-6" EW BOT 3x4 #6 6'-10" VERT 3x2x8 #4 @12" TIES	
F10.0e	10'-0"x10'-0"x2'-0"	18"x18"	10-LOC.	158'-0"	165'-0"	10x2x12 #6 9'-6" EW BOT 10x4 #6 6'-10" VERT 10x2x8 #4 @12" TIES	
F10.0f	10'-0"x10'-0"x2'-0"	18"x18"	1-LOC.	155'-0"	165'-0"	2x12 #6 9'-6" EW BOT 4 #6 9'-10" VERT 2x11 #4 @12" TIES	
F11.0d	11'-0"x11'-0"x2'-2"	18"x18"	12-LOC.	158'-0"	165'-0"	12x2x11 #7 10'-6" EW BOT 12x4 #6 6'-10" VERT 12x2x8 #4 @12" TIES	
F12.0e	12'-0"x12'-0"x2'-3"	18"x18"	22-LOC.	158'-0"	165'-0"	22x2x10 #8 11'-6" EW BOT 22x4 #6 6'-10" VERT 22x2x8 #4 @12" TIES	
F13.0	13'-0"x13'-0"x2'-6"	18"x18"	14-LOC.	158'-0"	165'-0"	14x2x12 #8 12'-6" EW BOT 14x4 #6 6'-10" VERT 14x2x8 #4 @12" TIES	
F14.0	14'-0"x14'-0"x2'-7"	18"x18"	10-LOC.	158'-0"	165'-0"	10x2x11 #9 13'-6" EW BOT 10x4 #6 6'-10" VERT 10x2x8 #4 @12" TIES	
F15.0	15'-0"x15'-0"x2'-6"	18"x18"	1-LOC.	158'-0"	165'-0"	2x14 #8 14'-6" EW BOT 4 #6 6'-10" VERT 2x8 #4 @12" TIES	
F16.0	16'-0"x16'-0"x2'-11"	18"x18"	3-LOC.	158'-0"	165'-0"	3x2x14 #9 15'-6" EW BOT 3x4 #6 6'-10" VERT 3x2x8 #4 @12" TIES	
F17.0	17'-0"x17'-0"x2'-6"	18"x18"	1-LOC.	158'-0"	165'-0"	2x12 #8 16'-6" EW BOT 4 #6 6'-10" VERT 2x8 #4 @12" TIES	
F18.0	18'-0"x18'-0"x3'-0"	18"x18"	3-LOC.	158'-0"	165'-0"	3x2x14 #9 17'-6" EW BOT 3x4 #6 6'-10" VERT 3x2x8 #4 @12" TIES	

LAP SCHEDULE		
SIZE	4000 PSI	
	TOP	OTHERS
#3	24	19
#4	32	25
#5	40	32
#6	48	38
#7	70	55
#8	80	62



ONCE REBAR SERVICES

# ONCE REBAR SERVICES

Release Number: R1.01-R1.06

BENDING DETAILS																
Bar Mark	Qty	Size	Total Length	Type	'A'	'B'	'C'	'D'	'E'	'F'	'G'	'H'	'J'	'K'	'O'	'R'
3A01	1352	#3	3'-6"	17			1'-2"	1'-2"	1'-2"							
3A02	1178	#3	2'-5"	T5	0'-5"	1'-8"					0'-4"		0'-3"			
3A03	589	#3	7'-4"	T1	0'-4"	1'-8"	1'-8"	1'-8"	1'-8"		0'-4"					
4A01	179	#4	7'-5"	T1	0'-4 1/2"	1'-8"	1'-8"	1'-8"	1'-8"		0'-4 1/2"					
4A02	358	#4	2'-5"	T9	0'-4 1/2"	1'-8"					0'-4 1/2"					
5A01	217	#5	3'-0"	17		1'-0"	2'-0"									
5A02	258	#5	4'-2"	2	0'-10"	3'-4"										
5A03	368	#5	3'-8"	17		1'-0"	2'-8"									
5A04	42	#5	5'-4"	2	0'-10"	4'-6"										
5A05	30	#5	5'-3"	2	0'-10"	4'-5"										
5A06	60	#5	5'-2"	2	0'-10"	4'-4"										
5A07	8	#5	5'-1"	2	0'-10"	4'-3"										
5A08	14	#5	4'-8"	2	0'-10"	3'-10"										
5A09	5	#5	6'-4 1/2"	20		2'-8"	1'-0 1/2"	2'-8"								
5A10	16	#5	5'-4"	17		2'-8"	2'-8"	2'-8"								
5A11	15	#5	2'-8"	17		1'-0"	0'-8"	1'-0"								
5A12	16	#5	4'-4"	2	0'-10"	3'-6"										
6A01	8	#6	4'-10"	2	1'-0"	3'-10"										
8A01	112	#8	8'-2"	2	1'-4"	6'-10"										
8A02	56	#8	8'-1"	2	1'-4"	6'-9"										
8A03	8	#8	4'-4"	2	1'-4"	3'-0"										
8A04	128	#8	7'-8"	2	1'-4"	6'-4"										
8A05	56	#8	7'-2"	2	1'-4"	5'-10"										
8A06	24	#8	8'-3"	2	1'-4"	6'-11"										
8A07	16	#8	8'-7"	2	1'-4"	7'-3"										
8A08	8	#8	7'-3"	2	1'-4"	5'-11"										
8A09	8	#8	7'-6"	2	1'-4"	6'-2"										
8A10	8	#8	7'-0"	2	1'-4"	5'-8"										
8A11	24	#8	8'-4"	2	1'-4"	7'-0"										

